

# owners manual

使用説明書

**ROTEL** *hi fi*

STEREO POWER AMPLIFIER

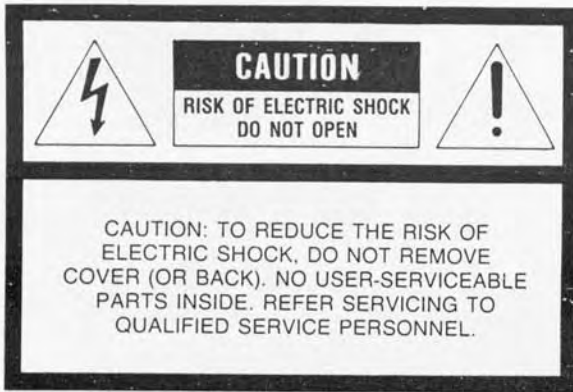
# RB-980BX

WARNING  
TO PREVENT FIRE OR SHOCK HAZARD,  
DO NOT EXPOSE THIS APPLIANCE  
TO RAIN OR MOISTURE

Write your SERIAL NUMBER here.

The number is located near the name  
plate on the rear panel.

# SAFETY INSTRUCTIONS



## • Explanation of Graphical Symbols



The lightning flash with arrowhead symbol, within an equilateral triangle, is intended to alert you to the presence of uninsulated "dangerous voltage" within the product's enclosure that may be of sufficient magnitude to constitute a risk of electric shock to persons.



The exclamation point within an equilateral triangle is intended to alert you to the presence of important operating and maintenance (servicing) instructions in the literature accompanying the appliance.

## EXCLUSIVE NOTE FOR U.K.

If your unit comes with a 2-core cable without a plug, make certain live and neutral leads are connected to the proper terminals. Check that the terminals are screwed down firmly and no loose strands of wire are present.

**IMPORTANT:** The wires in this mains lead are coloured in accordance with the following code:

BLUE: NEUTRAL

BROWN: LIVE

As the colours of the wires in the mains lead of this apparatus may not correspond with the coloured markings identifying the terminals in your plug proceed as follows. The wire which is coloured BLUE must be connected to the terminal which is marked with the letter N or coloured BLUE or BLACK. The wire which is coloured BROWN must be connected to the terminal which is marked with the letter L or colour BROWN or RED.

1. Read Instructions— All the safety and operating instructions should be read before the appliance is operated.
2. Retain Instructions — The safety and operating instructions should be retained for future reference.
3. Head Warnings — All warnings on the appliance and in the operating instructions should be adhered to.
4. Follow Instructions — All operating and other instructions should be followed.
5. Water and Moisture — The appliance should not be used near water — for example, near a bathtub, washbowl, kitchen sink, laundry tub, in a wet basement, or near a swimming pool, etc.

6. Carts and Stands — The appliance should be used only with a cart or stand that is recommended by the manufacturer.
7. Wall or Ceiling Mounting — The appliance should be mounted to a wall or ceiling only as recommended by the manufacturer.
8. Ventilation — The appliance should be situated so that its location or position does not interfere with its proper ventilation. For example, the appliance should not be situated on a bed, sofa, rug, or similar surface that may block the ventilation openings; or placed in a built-in installation, such as a bookcase or cabinet that may impede the flow of air through the ventilation openings.
9. Heat — The appliance should be situated away from heat sources such as radiators, stoves, or other appliances that produce heat.
10. Power Sources — The appliance should be connected to a power supply only of the type described in the operating instructions or as marked on the appliance.
11. Power-Cord Protection — Power-supply cords should be routed so that they are not likely to be walked on or pinched by items placed upon or against them, paying particular attention to cords at plugs, convenience receptacles, and the point where they exit from the appliance.
12. Cleaning — The appliance should be cleaned only as recommended by the manufacturer.
13. Nonuse Periods — The power cord of the appliance should be unplugged from the outlet when left unused for a long period of time.
14. Object and Liquid Entry — Care should be taken so that objects do not fall into and liquids not spilled into the inside of the appliance.
15. Damage Requiring Service — The appliance should be serviced by qualified service personnel when:
  - A. The power-supply cord or the plug has been damaged; or
  - B. Objects have fallen, or liquid has been spilled into the appliance; or
  - C. The appliance has been exposed to rain; or
  - D. The appliance does not appear to operate normally or exhibits a marked change in performance; or
  - E. The appliance has been dropped, or the cabinet damaged.
16. Servicing — The user should not attempt to service the appliance beyond those means described in the operating instructions. All other servicing should be referred to qualified service personnel.
17. Grounding or Polarization — The precautions that should be taken so that the grounding or polarization means of an appliance is not defeated.

**PORTABLE CART  
WARNING**



## INTRODUCTION

We at Rotel want to thank you for purchasing our audio product.

Rotel audio products are designed to use the latest electronic technology, and they incorporate our long experience as a specialist manufacturer of audio equipment. We are confident that you will find satisfaction in the high quality sound and top performance, and that you will find pleasure in the functional beauty achieved through human-engineering concept. Before starting operation, please read this instruction manual thoroughly and acquaint yourself with the proper mode of using the unit and all its connections.

We hope you will enjoy top-notch performance for many years to come.

## BEFORE ENJOYMENT/POWER SUPPLY

Follow the instructions below for maximum safety:

### 1. Use a wall outlet for power supply

Be sure to connect the AC line cord to a house-hold wall outlet. Be certain that the outlet voltage matches the electrical rating of the unit, found on the rear panel name plate.

### 2. Connecting and removing AC cord

Be sure to connect or disconnect the AC line cord only after turning off the power switch to prevent possible shock noise or damage to the speakers.

### 3. Ventilate the unit well

Never block any ventilation holes at the top and bottom of the unit. Be sure also to provide ample ventilation space around the unit. Poor ventilation may result in damage due to excessive heat.

### 4. Do not open the cabinet

In order to avoid electric shock or damage to the component, never open the cabinet. If a foreign object falls inside the unit by mistake, turn the power off, disconnect the wall plug, and consult a qualified electrician or your dealer.

## 5. Installation

Be sure to place the unit in a level and flat place where it is free from humidity, vibration, high temperature and not exposed to direct sunlight.

Be careful not to place the unit in a highly enclosed place such as near a wall or on a bookshelf. A poor ventilation will cause undesirable effects to the unit.

## 6. Moving the unit

When transporting, remove the AC cord from the wall outlet and all other connected cords on the rear panel to prevent wire breakage and short circuits.

## 7. If the unit gets wet

If the unit should get wet, immediately disconnect the AC cord, and consult your dealer or a qualified electrician.

## 8. Cleaning and maintenance

Do not use chemicals such as benzine or thinners on the front panel. Always use a soft, dry cloth to clean the unit.

## 9. Owner's manual

Keep the owner's manual near the unit, and record the serial number (found on the rear panel) on the cover.

## SPEAKERS

When using the RB-980BX as a stereo power amplifier, please use a speaker system with an impedance range of 4-16 ohms. When using this unit as a monaural amplifier connected in a bridged (BTL) configuration, please use a speaker system with an impedance range of 8-16 ohms. The speakers' impedance specifications can be found on the plate at the rear of the speakers or in the user's manual. Please check to be sure they are of the correct impedance.

## CABLES

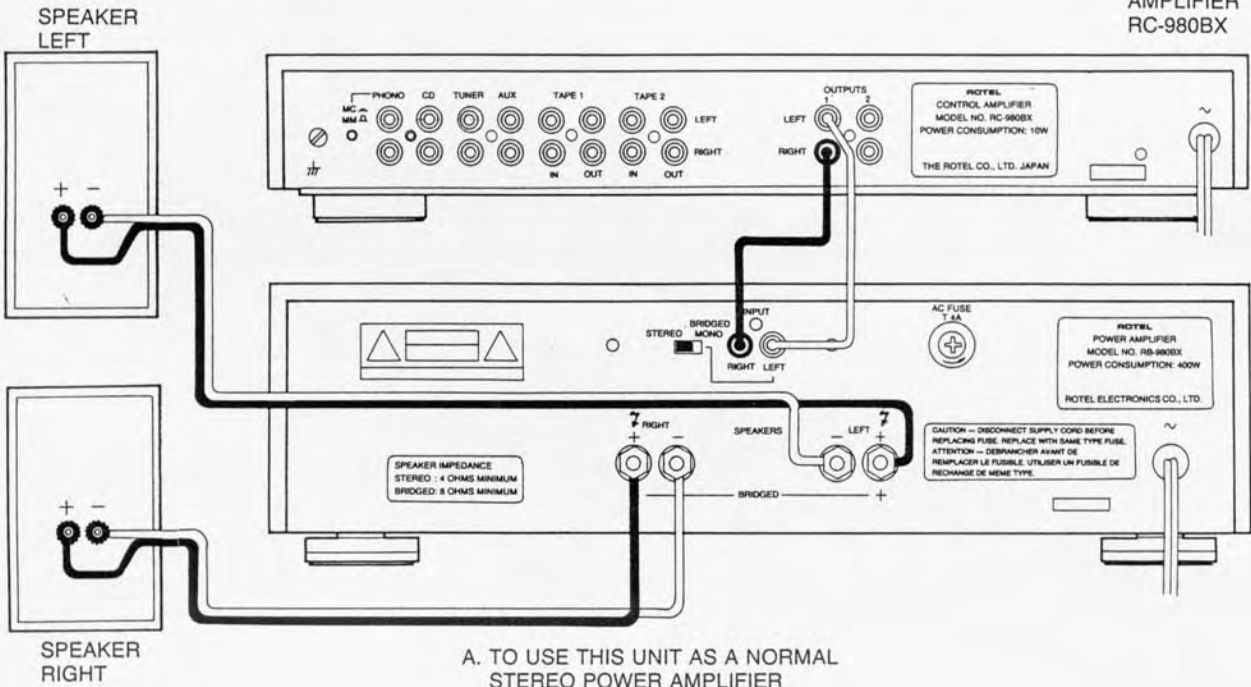
To ensure that the RB-980BX operates at its full potential and you can enjoy the most exceptional sound quality from your system, we strongly recommend using high-quality RCA pin cables to connect the RB-980BX to the control amplifier and low-capacity, low-impedance speaker cables.

## SPEAKERS AND PREAMPLIFIER CONNECTION

This unit is designed to be capable of bridge connection. Connections and the switch setting on the rear panel when this unit is used as a monaural amplifier by making a bridge connection differ from those when this unit is used as a normal stereo power amplifier. Select the connections and switch setting according to your use of this unit.

### A. TO USE THIS UNIT AS A NORMAL STEREO POWER AMPLIFIER

1. Set the STEREO/BRIDGED MONO selector to STEREO.



### B. TO USE THIS UNIT AS A MONAURAL AMPLIFIER BY MAKING A BRIDGE CONNECTION

1. Set the STEREO/BRIDGED MONO selector to BRIDGED MONO.
2. Connect the speaker cord of the left speaker to the SPEAKERS terminals of the RB-980BX for left channel and the cord of the right speaker to the SPEAKERS terminals of the RB-980BX for right channel. The + lead of the speaker cord should be connected to the LEFT + (BRIDGED +) terminal and the - lead should be connected to the RIGHT + (BRIDGED -) terminal.

**Note:** The potential of the BRIDGED - terminal of this unit is not the same as the earth potential. Connect the speaker system directly to this unit using the speaker cords; never use the speaker select unit or something similar. Secure the speaker cord so that the lead of the cord does not touch the other terminal or the metal part of this unit.

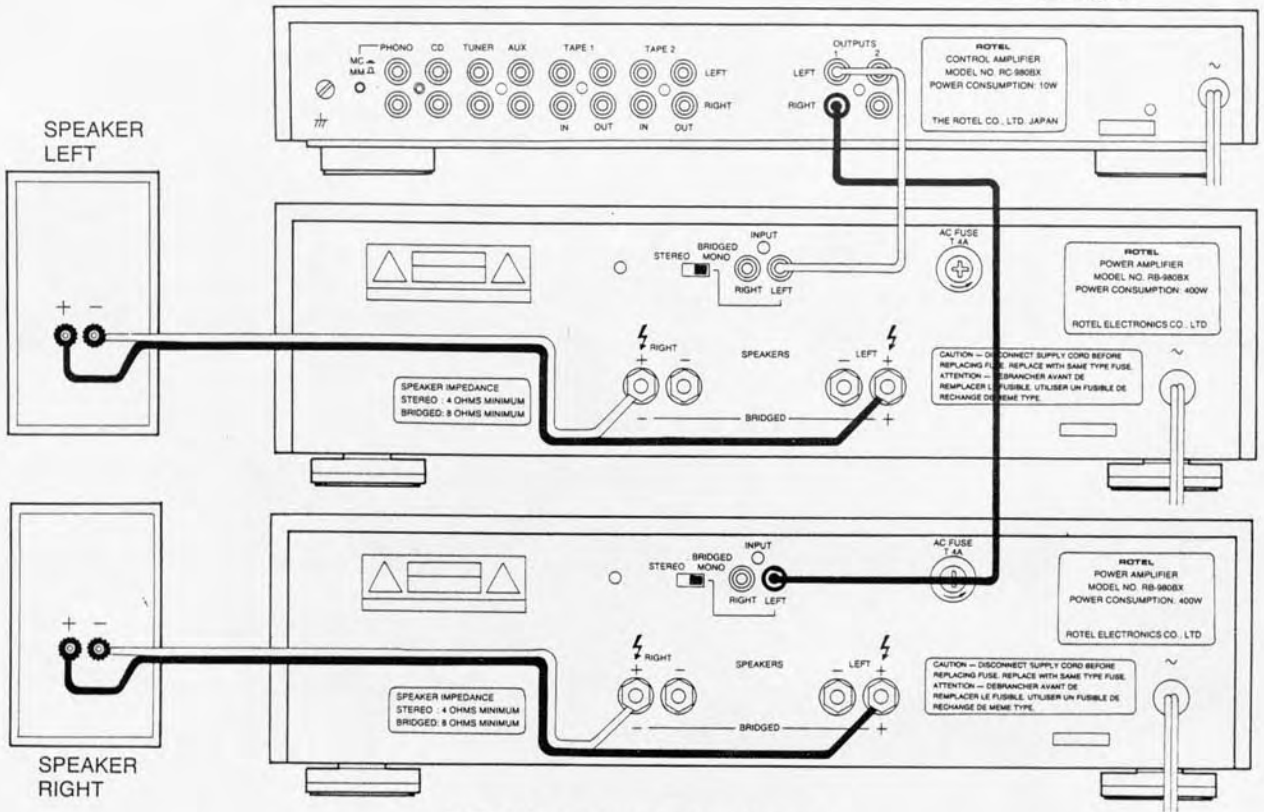
3. Using two cables with phono connectors, connect a preamplifier to two RB-980BXs. Connect the OUTPUT L jack of the preamplifier to the INPUT LEFT jack of the RB-980BX for left channel and the OUTPUT R jack of the preamplifier to the INPUT LEFT jack of the RB-980BX for right channel. The INPUT RIGHT jacks are not to be used in the bridged connection.

2. Connect the speaker cord of the right speaker to the RIGHT terminals and the cord of the left speaker to the LEFT terminals of SPEAKERS terminals. Note the + - connection (+ lead to + terminal and - lead to - terminal).
3. Using two cables with phono connectors, connect the OUTPUT L jack of the preamplifier to the INPUT LEFT jack of this unit and the OUTPUT R jack of the preamplifier to the INPUT RIGHT jack of this unit.

### HOW TO CONNECT THE SPEAKER CORDS TO THE SPEAKERS TERMINALS

Strip the cord end and twist leads firmly, then connect it to the SPEAKERS terminal. The SPEAKERS terminals of this unit are screw type. Turn the screw counterclockwise and insert the cord end. Then tighten the screw firmly by turning clockwise so that the speaker cord cannot be pulled out accidentally.

CONTROL AMPLIFIER  
RC-980BX



B. TO USE THIS UNIT AS A MONAURAL  
AMPLIFIER BY MAKING A BRIDGE CONNECTION

**SWITCHES AND CONTROLS**

**(1) Power Button**

Depress this button to turn on the power in the unit. Press the button a second time to release it and to cut off the power.

**(2) Power Indicator**

Glowes when power is turned on with the power button.

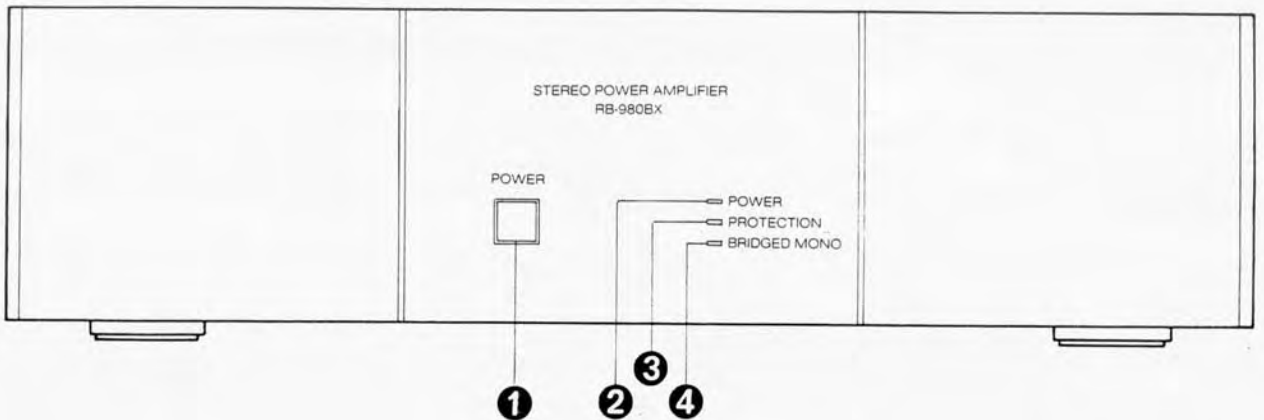
**(3) Protection Indicator**

The indicator normally lights for several seconds upon turning on the power. When the indicator goes off, it means the unit is in the normal operating state.

The indicator glows when abnormally high temperature is built up inside the unit. In such a case, the indicator will remain on until the temperature inside the unit drops to a normal level. When the indicator goes off, it indicates the unit has returned to the normal operating state.

**(4) Bridged Mono Indicator**

Lights up when using this unit as a monaural amplifier by making a bridge connection.





## OPERATION

- Before commencing operation, check to see if all connections are properly made.
- Before turning on the power in the unit, always be sure to turn down the preamplifier volume control to minimum.
  1. Turn on the preamplifier.
  2. Turn on the RB-980BX.
  3. Reproduce a desired source, and raise the volume level on the preamplifier.

## HUM AND NOISE

In any high fidelity installation, hum may be caused by the interconnection of a turntable, tuner and amplifier, and speakers as the result of wiring, different grounding or locations of components.

If hum is experienced with your unit, disconnect everything but the speakers from the unit. Plug in the turntable and if hum or howling appears, move the turntable away from the speakers as much as possible.

Note hum may also be induced by defective cable connections or by running the cables too close to strong AC field. When your unit picks up noise during the reception of broadcasts, causes are mostly due to external objects such as fluorescent lamps and house appliances using motor or thermostat, or others that may induce the noise.

Either relocating the unit away from the noise sources or using an improved outdoor antenna may readily solve the problem. In the event you cannot find the cause, consult your dealer or a qualified electrician.

## SPECIFICATIONS

Continuous Power Output...	120 watts* per channel, min. RMS both channels driven into 8 ohms from 20 to 20,000 Hz with no more than 0.03% total harmonic distortion.
DIN Power Output .....	220 watts per channel (1kHz, 4 ohms, 1% THD)
Peak Current .....	80 A (0.1 ohms, 10 $\mu$ sec, 1 pulse).
Bridged Power .....	360 watts (mono) min. RMS driven into 8 ohms from 20 to 20,000 Hz with no more than 0.05% total harmonic distortion.
Total Harmonic Distortion (20 to 20,000 Hz) .....	No more than 0.03% (con- tinuous rated power output) No more than 0.03% (con- tinuous 1/2 rated power output) No more than 0.03% (1 watt per channel power output, 8 ohms)
Intermodulation Distortion (60 Hz : 7 kHz = 4:1) .....	No more than 0.03% (con- tinuous rated power output) No more than 0.03% (con- tinuous 1/2 rated power output) No more than 0.03% (1 watt per channel power output, 8 ohms)
Output .....	Speaker 8 ohms nominal
Damping Factor .....	1,000 (20 to 20,000 Hz, 8 ohms)
Input Sensitivity/ Impedance .....	1.0 V/33 kohms
Frequency Response .....	4 to 100,000 Hz, +0.5 dB, -3.0 dB

## PROTECTION CIRCUIT

The RB-980BX incorporates thermal protector to prevent accident or damage. If for some reason the protection circuit is activated, there will be a sudden cut-off of sound from the speakers, and the protection indicator will light up.

If no sound is produced, the reason may be due to the functioning of the protection circuit. First, turn off the power and disconnect the plug from the electrical outlet. Then locate and remedy the cause of the trouble. When the thermal protector is activated, the unit will start functioning automatically after the temperature is lowered again.

If the protection circuit is activated again despite taking the above action, cut off the power supply from your entire audio system and consult your dealer or a qualified electrician.

**Note:** The protection circuit will normally operate to prevent a popping noise from being generated upon turning on the power. No sound is produced for several seconds after turn-on.

Signal-to-Noise Ratio (IHF A network) .....	120 dB
Power Requirement .....	120 V/60 Hz, 220 V/50 Hz, 240 V/50 Hz or 100 V/50 Hz- 60 Hz (depending on destinations)
Power Consumption .....	400 watts
Dimensions (overall) .....	440 (W) x 120 (H) x 323 (D) mm 17-5/16" x 4-23/32" x 12-23/32"
Weight (net) .....	10.2 kg/22.44 lbs.

- Specifications and design subject to possible modification without notice.
- \* Measured pursuant to the Federal Trade Commission's Trade Regulation Rule on Power Claims for Amplifiers (applicable to the U.S.A. only).